



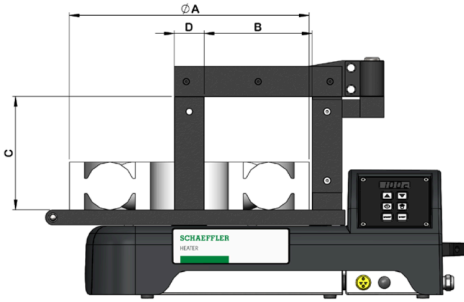
HEATER100-BASIC-230V

Heating device, inductive

Schaeffler ID:
0966587030000

HEATER basic

Technical information



Technical data

U	230 V	Operating voltage
f	50 - 60 Hz	Frequency
P	3.7 kVA	Power consumption
I	16 A	Current rating
$\vartheta_{h \max}$	240 °C	Max. heating temperature
	0 - 99 min	Heating time
	Digital	Display
	1	Magnetic probe, quantity
≈m	36.3 kg	Weight

Functions

+	Temperature hold
+	Automatic demagnetization, <math><2A/cm</math>
+	Swivel arm
—	Log function
—	Delta-T control
+	Temperature control
+	Time control
—	Temperature and time control
—	Temperature and speed control
+	Overheating protection
+	Automatic power reduction
+	Device supports horizontal / lying heating of the workpiece
+	Device supports vertical / hanging heating of the workpiece

Dimensions

	702 mm	Length HEATER
	256 mm	Width HEATER
	392 mm	Height HEATER
B	180 mm	Space between poles
C	185 mm	Pole length
D	50x50	Pole cross section (mm ²)

Workpiece to be heated

	30 mm	Min. inner diameter workpiece, vertical heating: with included yoke
	15 mm	Min. inner diameter workpiece, vertical heating: with optional yoke
	72 mm	Min. inner diameter workpiece, horizontal heating
ØA _{max}	500 mm	Max. outer diameter workpiece
	175 mm	Max. workpiece width, vertical heating
	180 mm	Max. workpiece width, horizontal heating
m _{b max}	100 kg	Max. workpiece weight

Additional information

	2	Yokes included, quantity
	20x20, 50x50	Yokes included, cross section (mm ²)